

# E41 Shower (or Bath) Mixers

## Installation Limitations

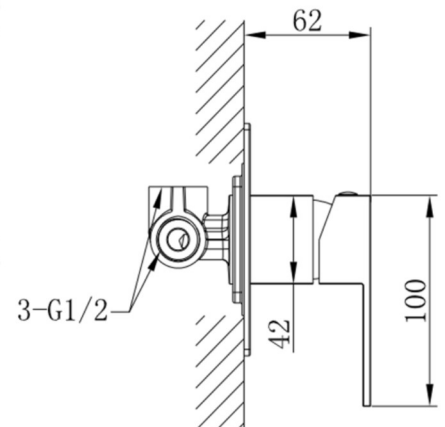
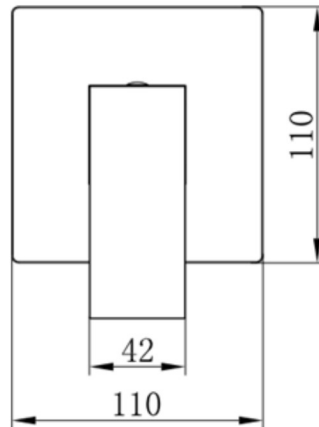
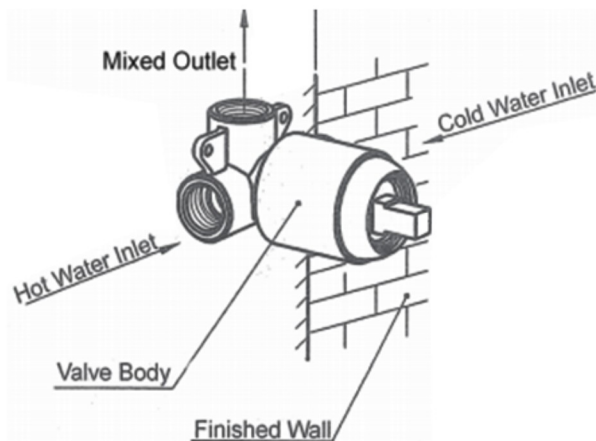
1. Recommended working pressure Minimum 0.5Bar and Maximum 6.0Bar.
2. Maximum working temperature 65°C
3. Hot and cold supplies must be protected by line filters

## Installation Procedure (See Diagram below)

1. Ensure both supply pipes have been flushed and are free from debris before connecting hot, cold and mixed pipes to the mixer body. The hot feed should always be positioned on the left and the mixed outlet towards the ceiling.
2. Turn water supply back on and check carefully all connection points for water tightness.
3. Leave the protective sheath on the mixer body while finishing construction takes place around the mixer.
4. When fitting faceplate it is recommended a heavy bead of silicon sealant (or equivalent) be laid between the mixer body and tiled surface to prevent any water entering behind the wall.

## Care and Use

1. Shutting the tap gently will reduce the chance of water hammer or banging pipes.
2. Regularly clean the taps surface only with non scouring, neutral wash solutions.



Note: The installation diagram is only for reference and subject to the real objects.

## Guarantee

This product comes with guarantee (please refer to the seller for details of guarantee) when installed, used and cleaned in accordance with this manual.

## Not covered by the Guarantee is as followings:

1. Breakdown due to-
  - Use other than domestic
  - Wilful act of neglect
  - Any malfunction resulting from incorrect use
  - Incorrect setting of controls
  - Any malfunction resulting from poor water quality
2. Repair costs for damage caused by foreign objects or substances.
3. Compensation for loss of use of the product or consequential loss of any kind.
4. Call out charges where no fault has been found with the product.